

FORD RANGER MOBILE CLINIC

VEHICLE SUMMARY

A heavy-duty 1-ton pickup developed in conjunction with international health organizations to provide mobile assistance during disease outbreaks.



Rail mount fridge




Dual and deep cycle battery system



Rail mount fridge

* Some features shown are optional

Contact RMA Automotive for more information or a quotation.

 inquiries@rmagroup.net

 rmaautomotive.net



FORD RANGER

MOBILE CLINIC

Vehicle Details

Manufacturer	Ford
Model	Ranger Double Cab
Engine	2.5L Duratec Petrol DOHC with iVT
Power (kW)	122 @ 6000 rpm
Torque (Nm)	226 @ 4500 rpm
Drivetrain	4X4
Transmission	5-speed manual
Fuel tank capacity	80L
Wheels	17" alloy
Tires	Semi-rough pattern

Dimensions of Modified Vehicle (mm)

Length	5359
Width	1850
Height	1815
Angle of approach (°)	28
Angle of departure (°)	26
Wheelbase	3220
Track width	1560
Ground clearance	232
Turning circle (m)	12

Weight Table (kg)

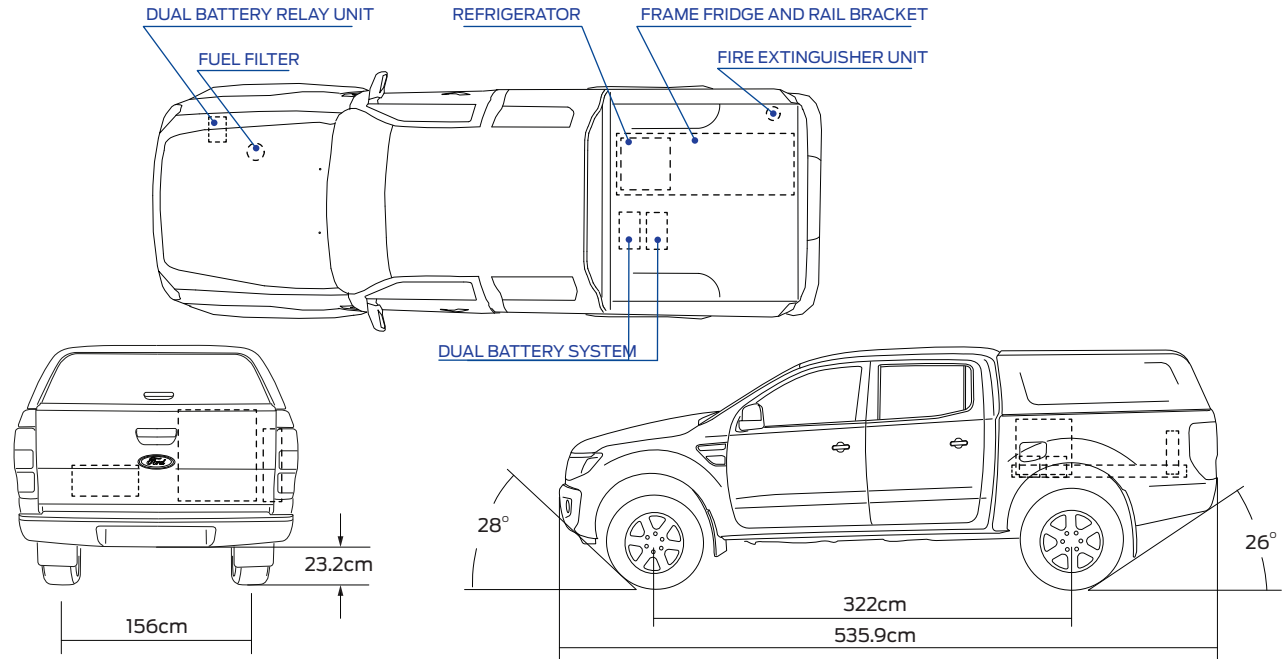
Base vehicle unladen kerb weight	1913
Modified vehicle unladen kerb weight	2141
1) Front axle	1211
2) Rear axle	930
Payload capacity	1059
Gross modified vehicle weight	3200

Notes:

The company reserves the right to change the vehicle specifications and features described in this publication at any time.

Vehicle specifications and features may vary in different markets.

Images are for illustrative purposes only and may appear different from the actual vehicle.



Standard Features

ABS double canopy
 Portable fridge freezer
 Dual and deep cycle battery

Bedliner
 Dome light kit
 Fire extinguisher 1 kg [X2]

Optional Features

Brake system upgrade
 Enhanced handling suspension package
 Enhanced fuel filtration system
 Enhanced fuel filtration system with coolant block heater
 Long range fuel tank for maximum range (115L)

Window tinting
 First aid emergency safety kit
 Accessory pack
 Recovery pack
 1 Year replacement pack

Contact RMA Automotive for more information or a quotation.

✉ inquiries@rmagroup.net

🌐 rmaautomotive.net